

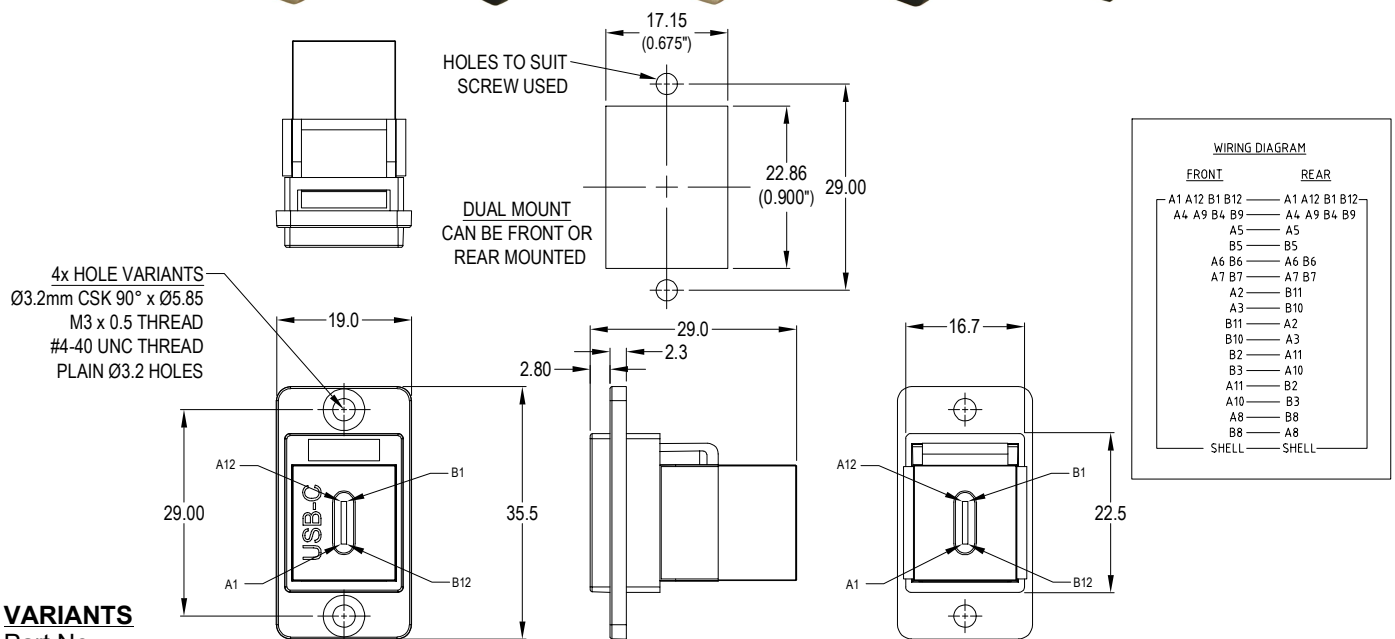
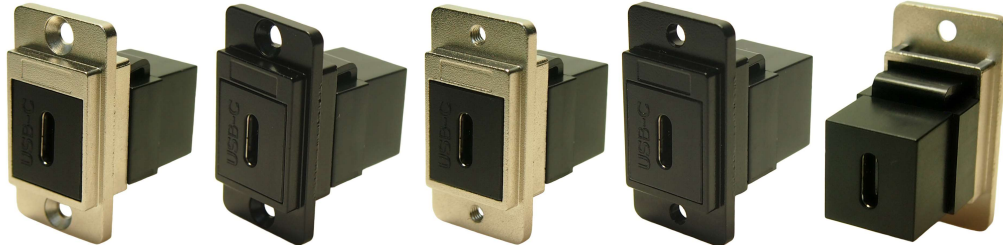
CLIFF

DUALSLIM USB-C 3.1 F-F METAL FRAME FEEDTHROUGH CONNECTOR

Can be front or rear mounted in the panel

N.B.

FUNCTIONALITY IS AFFECTED BY CABLE QUALITY, LENGTH AND CABLE WIRING CONFIGURATION. NOT COMPATIBLE FOR POWER DELIVERY (PD) CHARGING.



VARIANTS

Part No.

- CP30701M** DUALSLIM USB-C 3.1 F-F Nickel frame, CSK holes
- CP30701MB** DUALSLIM USB-C 3.1 F-F Black metal frame, CSK holes
- CP30701M3** DUALSLIM USB-C 3.1 F-F Nickel frame, M3 holes
- CP30701MB3** DUALSLIM USB-C 3.1 F-F Black metal frame, M3 holes
- CP30701M440** DUALSLIM USB-C 3.1 F-F Nickel frame, #4-40 holes
- CP30701MB440** DUALSLIM USB-C 3.1 F-F Black metal frame, #4-40 holes
- CP30701MX1** DUALSLIM USB-C 3.1 F-F Nickel frame, Ø3.2 PLAIN holes
- CP30701MBX1** DUALSLIM USB-C 3.1 F-F Black metal frame, Ø3.2 PLAIN holes

Feedthrough Features

- Fits standard rectangular cutout.
- Front or rear mounting through the panel.
- Various hole mounting options.
- No soldering or punch termination. Use standard cable for each connector style.
- Low rear profile.

General:

Please note: Functionality is affected by cable quality, length and cable wiring configuration.

Materials:

FT Frame: Nickel Plated Zinc Diecast
 Insert: ABS, UL94 HB
 USB-C Insulator: LCP, UL94 V-0

USB-C Specification:

Maximum Rated Current - 3A
 Maximum Power - 60W
 Withstanding Voltage - 100V for 1 minute.
 Contact Resistance - 40mΩ maximum.
 Insulation Resistance - 100 MΩ minimum.
 Insertion Life - 5,000 Cycles.